



## DIRECT IN-LINE PUMP SYSTEM

Modular concept in all stainless steel

Immersible IP67 IE3 motors

Sectioning valve for easy maintenance

Modulated pumping driven by variable speed drives for energy saving

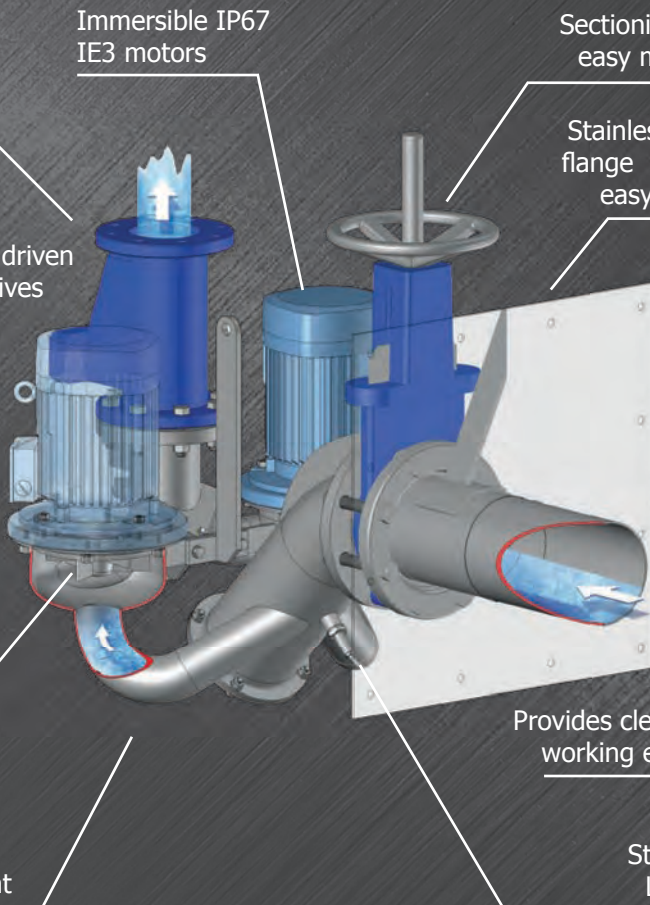
Stainless steel wall flange supplied for easy installation

Optional DIPCut® impeller for self-cleaning operation

OmniDiP® allows remote management

Provides clean and safe working environment

Stainless steel Level Sensor



# DIP : The PUMP SYSTEM tailored to your need

DIP

## AN INNOVATIVE PRINCIPLE

By pumping gravity fed effluent directly from the point of entry, without water loading or a wet well, the DIP Systeme® overcomes the drawbacks of retaining raw sewage :

- No dangerous gases (H2S),
- No smells,
- No sand and grease accumulation,
- No equipment corrosion,
- No structural erosion,
- No obstructed float switches,
- Always have access safety.



The only patented system to lift effluent directly at the point of entry

The DIP Systeme® provides innovative, durable and economical pumping stations.

## A COMPLETE CONCEPT

### VFD

The DIP Systeme® is driven, as standard, by variable speed drives. Operation is no longer based on "all-or-nothing" pumping but on continuous modulated pumping directly from the effluent inlet.



### IMPELLER

DIPCut® is a patented impeller that becomes a «Shredder» when it automatically changes direction of rotation. Coupled to variable frequency drive, this impeller changes its direction of rotation when needed in order to cut snarled long fibrous materials and rags, and then remove them.



### OMNIDIP

OmniDIP® is a SCADA system with remote control and management in mind, based on M2M communication, dedicated for DIP Systeme® . It allows many advanced remote functions such as resetting, remote unclogging and communication via secured Internet interface or/and standards SCADA controllers.



Your next lift stations can look like this : New or Rehab



# ADVANTAGES OF DIP SYSTEM®

## DIRECT ADVANTAGES OF DIRECT IN-LINE PUMPING:

- No wet well
- No cleaning
- No Dangerous gases (H<sub>2</sub>S)
- No smells
- No obstructed Float Switches
- No corrosion
- Access Safety
- DIP System pays for itself through reduced costs of operation.



## A FEW FIGURES ABOUT THE DIRECT IN-LINE PUMPING:

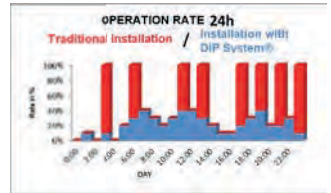
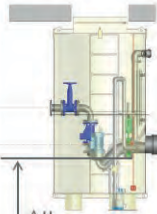
1500 units operating in different countries and savings every day since 2003.  
56 models from 20gpm to 10 000gpm, up to 300ft head.  
Up to 200HP

## COMPARISON OF THE DIP SYSTEM WITH A TRADITIONAL SYSTEM:



Traditional installation with wet well

Installation with DIP System®





**ICG**  
IMEX Consulting Group

**6 Hulse St. Robbinsville, NJ 08691**  
**(609) 208-0660**  
**[www.imexconsultinggroup.com](http://www.imexconsultinggroup.com)**  
**[info@imexconsultinggroup.com](mailto:info@imexconsultinggroup.com)**

**[www.dipsysteme.com](http://www.dipsysteme.com)**